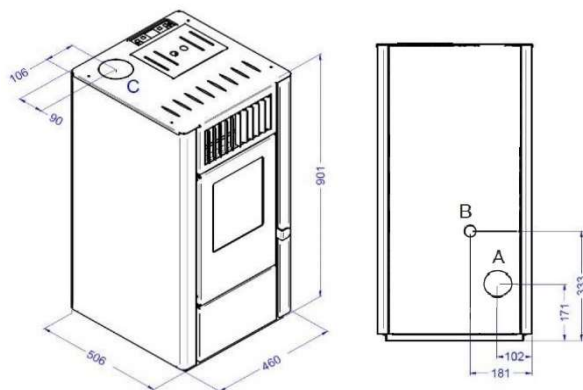


SCHEDA TECNICA / TECHNICAL SHEET / FICHE TECHNIQUE / FICHA TECNICA /  
TECHNISCHES DATENBLATT / TEHNIČNI LIST





Dora

Punto Fuoco



EN 14785 : 2006

|                                                                                                                                                |    |    |
|------------------------------------------------------------------------------------------------------------------------------------------------|----|----|
| A = Scarico fumi / Flue Gas Exhaust / Cheminée / Evacuación de humos / Rauchabzug / Odvod dimnih plinov                                        | 80 | mm |
| B = Aria combustione / Combustion air / Air de combustion / Verbrennungsluft / Aire para la combustión / Zrak za zgorevanje                    | 40 | mm |
| C = Scarico fumi superiore / Top Flue outlet / Sortie de Haut de Fumée / Top Abgasstutzen / Salida humos superior / Izpuh dimnih plinov zgoraj | 80 | mm |

|                                                        |                                                                                   |                                                                                   |                                                                                                |                                                                                     |
|--------------------------------------------------------|-----------------------------------------------------------------------------------|-----------------------------------------------------------------------------------|------------------------------------------------------------------------------------------------|-------------------------------------------------------------------------------------|
| Colori / Colours / Couleurs / Colores / Farben / Barve |  |  |              |  |
|                                                        | Rosso / Red / Rouge / Rot / Rojo / Rdeča                                          | Avorio / Ivory / Ivoire / Marfel / Elfenbein / Slonokoščena                       | Nero gofrato / Embossed black / Noir gaufré / Struktur schwarz / Negro gofrado / Reliefna črna | Bianco / White / Blanc / Weiss / Blanco / Bela                                      |

|                                                                                                                                                                  |         |    |
|------------------------------------------------------------------------------------------------------------------------------------------------------------------|---------|----|
| Peso / Weight / Poids / Peso / Gewicht / Masa                                                                                                                    | 57,7    | Kg |
| Capacità di serbatoio / Reservoir capacity / Capacité du réservoir / Capacidad de depósito / Behältergröße / Prostornina vsebnika                                | 13,5    | Kg |
| Grandezza ambiente riscaldabile / Heatable room volume / Volume chauffable / Tamaño ambiente a calentar / Beheizbare Raumgröße / Prostornina ogrevanega prostora | 140/200 | mc |

|                                                                                                                                                  | MAX  | MIN  |      |
|--------------------------------------------------------------------------------------------------------------------------------------------------|------|------|------|
| Potenza bruciata / Total heat output / Puissance brulé / Potencia consumida / Verbrennungsleistung / Moč izgorevanja                             | 9,5  | 2,8  | KW   |
| Potenza resa in riscaldamento / Nominal heat output / Puissance nominale / Potencia calorífica / Nennleistung / Izhodna moč pri ogrevanju        | 8,0  | 2,5  | KW   |
| Potenza resa all'acqua / Water heat output / Puissance a l'eau / Potencia calorífica suministrada al agua / Wasserleistung / Izhodna moč za vodo | ---- | ---- | KW   |
| Rendimento / Efficiency / Rendement / Rendimiento / Wirkungsgrad / Izkoristek                                                                    | 88   | 90   | %    |
| Consumo pellet / Pellet consumption / Consommation de pellets / Consumo pellet / Pelletverbrauch / Poraba peletov                                | 2,0  | 0,6  | Kg/h |

| Emissioni / Emission / émission / Emisión / Emission / Emisije (13 % O <sub>2</sub> )                                                 |      |       |                    |
|---------------------------------------------------------------------------------------------------------------------------------------|------|-------|--------------------|
| CO                                                                                                                                    | 0,01 | 0,013 | %                  |
|                                                                                                                                       | 122  | 166   | mg/Nm <sup>3</sup> |
| PM                                                                                                                                    | 14   | 19    | mg/Nm <sup>3</sup> |
| OGC                                                                                                                                   | 4    | 4     | mg/Nm <sup>3</sup> |
| NOx                                                                                                                                   | 98   | 89    | mg/Nm <sup>3</sup> |
| Temperatura Fumi / Flue gas Temperature / Temperature des fumees / Temperatura de humos / Abgastemperatur / Temperatura dimnih plinov | 214  | 105   | °C                 |
| Flusso Gas / Flue gas mass flow rate / Flux gaz combustible / Flujo gas combustible / Brenngasfluss / Pretok plina                    | 6,1  | 3,5   | g/s                |
| Tiraggio Minimo / Fuel draught / Tirage de la cheminee / Tiro de la chimenea / Schornsteinzug / Vlek kamina                           | 12   | 10    | Pa                 |

|                                                                                                                                                                                                                                                   |                                                     |      |    |
|---------------------------------------------------------------------------------------------------------------------------------------------------------------------------------------------------------------------------------------------------|-----------------------------------------------------|------|----|
| Distanze da pareti infiammabili / Distance to adjacent combustible materials / Distance de securite aux materiaux combustibles / Distancia de materiales combustibles / Mindestabstand zu entflammaren Oberflächen / Min. odmik od gorljivih sten | Lato / Sides / Côté / Lado / Seite / S Strani       | 250  | mm |
|                                                                                                                                                                                                                                                   | Retro / Rear / Arrière / Detras / Hinten / Zadaj    | 100  | mm |
|                                                                                                                                                                                                                                                   | Fronte / Front / Avant / Fuente / Frontal / Spređaj | 1000 | mm |

|                                                                                                                                                                 |          |        |
|-----------------------------------------------------------------------------------------------------------------------------------------------------------------|----------|--------|
| Tensione-Frequenza / Voltage-Frequency / Tension-Fréquence / Tensión alimentación-Frec. / Nennspannung-Nennfrequenz / Napetost-Frekvenca                        | 230 / 50 | V / Hz |
| Potenza elettrica / Rated input power / Puissance nominale électrique / Potencia nominal eléctrica / Elektrische Leistungsaufnahme / Električna poraba energije | 320      | W      |